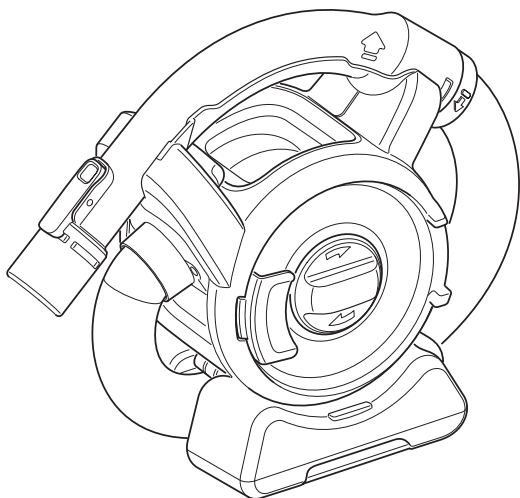




# CORDLESS MINI CANISTER VAC

Catalog Numbers FHV1080, FHV1200



**Thank you for choosing Black & Decker!  
Go to [www.BlackandDecker.com/NewOwner](http://www.BlackandDecker.com/NewOwner)  
to register your new product.**

## **PLEASE READ BEFORE RETURNING THIS PRODUCT FOR ANY REASON:**

If you have a question or experience a problem with your Black & Decker purchase, go to  
**[HTTP://WWW.BLACKANDDECKER.COM/INSTANTANSWERS](http://WWW.BLACKANDDECKER.COM/INSTANTANSWERS)**  
for instant answers 24 hours a day.

If you can't find the answer or do not have access to the internet,  
call 1-800-544-6986 from 8 a.m. to 5 p.m. EST Mon. -- Fri. to speak with an agent.

Please have the catalog number available when you call.

**SAVE THIS MANUAL FOR FUTURE REFERENCE.  
FOR HOUSEHOLD USE ONLY.**

**VEA EL ESPAÑOL EN LA CONTRAPORTADA.**

**INSTRUCTIVO DE OPERACIÓN, CENTROS DE SERVICIO Y PÓLIZA DE GARANTÍA.  
ADVERTENCIA: LÉASE ESTE INSTRUCTIVO ANTES DE USAR EL PRODUCTO.**


## IMPORTANT SAFEGUARDS


When using electrical appliances, basic safety precautions should always be followed, including the following:


**PLEASE READ AND UNDERSTAND ALL INSTRUCTIONS BEFORE USING THE UNIT.**

### SAFETY GUIDELINES - DEFINITIONS


It is important for you to read and understand this manual. The information it contains relates to protecting YOUR SAFETY and PREVENTING PROBLEMS. The symbols below are used to help you recognize this information.


 **DANGER:** Indicates an imminently hazardous situation which, if not avoided, will result in death or serious injury.

 **WARNING:** Indicates a potentially hazardous situation which, if not avoided, could result in death or serious injury.

 **CAUTION:** Indicates a potentially hazardous situation which, if not avoided, may result in minor or moderate injury.

**CAUTION:** Used without the safety alert symbol indicates a potentially hazardous situation which, if not avoided, may result in property damage.

 **WARNING:** Some household dust contains chemicals known to the State of California to cause cancer, birth defects or other reproductive harm such as asbestos and lead in lead based paint.

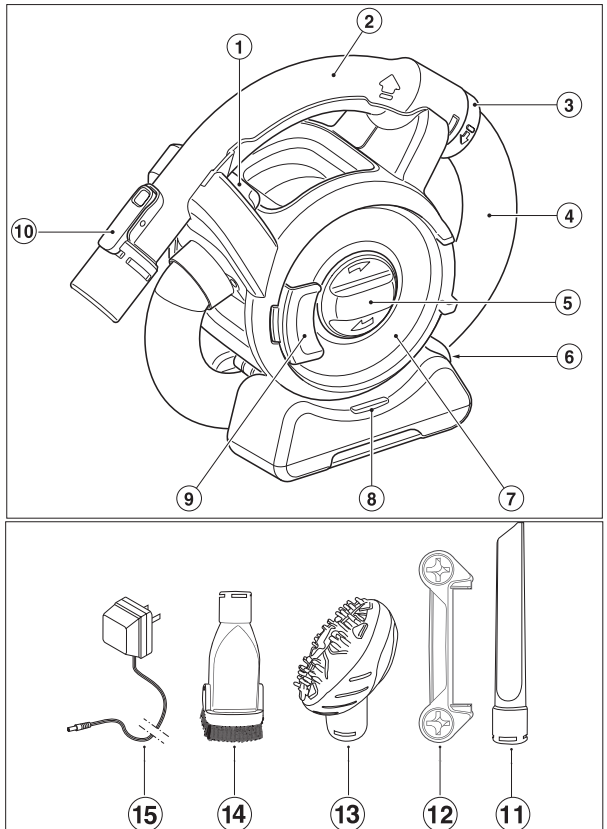
-  **WARNING:** To reduce the risk of fire, electrical shock or injury:
- Close supervision is necessary when any appliance is used by or near children. Do not allow to be used as a toy.
  - **Shock Hazard.** To protect against risk of electrical shock, do not put unit or charging base in water or other liquid.
  - Do not use dry vacs to pick up liquids, toxic substances, flammable or combustible liquids such as gasoline or use in areas where they may be present.
  - Do not operate in the presence of explosives and/or flammable fumes or liquids.
  - **Shock Hazard.** Do not operate any appliance with a damaged cord or charger or after the appliance malfunctions, is left outdoors, dropped into water or is damaged in any manner. Return the appliance to any authorized service facility.
  - Do not abuse the cord. Never carry the charger or base by the cord or yank to disconnect from an outlet; instead grasp the charger and pull to disconnect. Keep cord away from heated surfaces. Do not pull cord around sharp edges or corners.
  - Do not allow the cord to hang over the edge of a table or counter or touch hot surfaces. The unit should be placed on the floor away from sinks and hot surfaces.
  - Do not use an extension cord. Plug the charger directly into an electrical outlet.
  - Use the charger only in a standard electrical outlet (120V/60Hz).
  - Do not attempt to use the charger with any other product; do not attempt to charge this product with any other charger. Use only the charger supplied by the manufacturer to recharge.
  - Keep hair, loose clothing, and all parts of body away from openings and moving parts.
  - **Shock Hazard.** Do not handle plug or appliance with wet hands.
  - Do not put any object into unit openings. Do not use with any openings blocked; keep free of dust, lint, hair, and anything that may reduce air flow.
  - **Fire Hazard.** Do not vacuum burning or smoking materials, such as lit cigarette butts, matches or hot ashes.
  - Do not use on or near hot surfaces.
  - Use extra caution when cleaning on stairs.
  - This appliance is intended for household use only and not for commercial or industrial use.

- Use only as described in this manual. Use only manufacturer's recommended attachments.
- Unplug the charger from outlet before any routine cleaning or maintenance.
- The charger supplied with this product is intended to be plugged in such that it is correctly orientated in a vertical or floor mount position.
- This product includes rechargeable nickel cadmium batteries. Do not incinerate batteries as they will explode at high temperatures.
- Leaks from battery cells can occur under extreme conditions. If the liquid, which is a 20-35% solution of potassium hydroxide, gets on the skin (1) wash quickly with soap and water or (2) neutralize with a mild acid such as lemon juice or vinegar. If the liquid gets into the eyes, flush them immediately with clean water for a minimum of 10 minutes. Seek medical attention.
- Do not look into the air vents when the unit is switched on, as sometimes there is a possibility of small debris being discharged from the air vents, especially after cleaning / replacement of the filters as debris inside the unit can be disturbed.
- To prevent tripping accidents, store vacuum after each use.
- Do not pick up any sharp objects that may damage vacuum or filters.
- Do not operate the unit without both filters in place. Replace a damaged filter promptly.
- The charger supplied with this product is intended to be plugged in such that it is correctly orientated in a vertical or floor mount position.

# SAVE THESE INSTRUCTIONS

## PRODUCT FEATURES

1. On/Off switch
2. Removable hose / handle
3. Locking ring
4. Hose
5. Filter cleaning wheel
6. Charging inlet
7. Transparent door
8. LED charging indicator
9. Door latch
10. Accessory clip
11. Long crevice tool
12. Accessory caddy
13. Pet hair cleaning tool
14. 2-in-1 nozzle / brush tool
15. Charger



This product can accept any of the following chargers listed below.

Model UA180020B or Model UA160015a

## Assembly

### Mounting accessories (figures A & B)

The 2-in-1 nozzle / brush tool (14) has a brush that can be folded forward for dusting and upholstery cleaning.

The pet hair cleaning tool (13) is for use when vacuuming pet hair and/or ground-in debris from carpeted or upholstery surfaces.

**⚠ WARNING:** Injury to pets. Do not use pet hair cleaning tool directly on animals.

The crevice tool (11) allows for vacuuming in narrow and hard to-reach places.

- To attach an accessory (11), press the accessory clip (10) and slide the accessory onto the handle (2).

- To remove an accessory, press the accessory clip (10) and remove the accessory.

### To unwrap and extend the handle and hose:

The handle and hose can be unwrapped from the main appliance for extended reach when cleaning. Grab the handle where the arrows indicate and lift upwards. Unwrap the handle and hose from the main appliance. The hose can extend up to approximately 4 feet (1.21m).

To place the handle and hose back onto the main appliance, wrap the hose back underneath and around the vac making sure that the hose fits between the two "feet" of the appliance. Align the handle with its cradle and click back into place.

The handle (2) can be removed from the hose allowing the accessories to be connected directly to the hose cuff (16) when desired.

### To remove the handle:

- Unclip the handle (2) from the appliance.
- Rotate the locking ring (3) counterclockwise to release the clips.
- Pull the hose away from the handle (2).
- Fit the accessory directly to the hose cuff (16).

### To refit the handle:

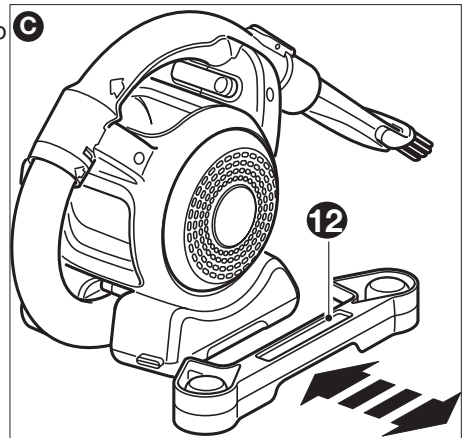
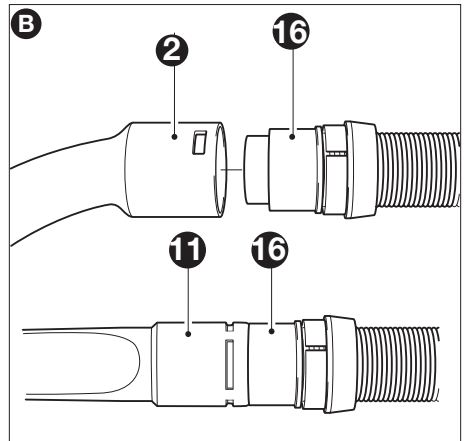
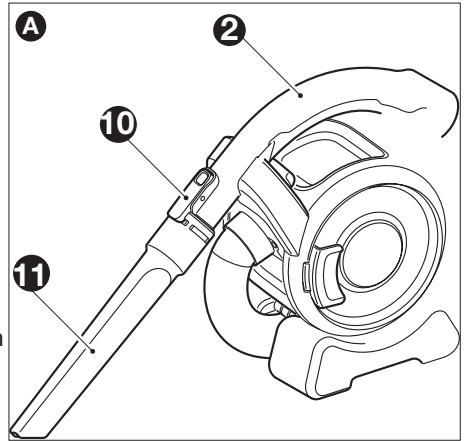
- Remove the accessory from the hose.
- Push the hose into the handle (2). Rotate locking ring (3) clockwise until it clicks into place.

### Fitting the accessory caddy (figure C)

When not in use, accessories can be stored in the accessory caddy (12). The accessory caddy can be removed if necessary.

- To install the accessory caddy (12) push it onto the lugs on the body of the appliance until it clicks into place. NOTE: Caddy only fits on one side of the appliance.

- To remove the accessory caddy (12) grasp either of the rounded sides and pull it away from the base of the appliance.



## Operation

Before first use, the batteries must be charged for at least 21 hours.

- Connect the appliance to the charger for a minimum of 21 hours.
- Charge the batteries as described below.

You may need to charge/discharge the appliance a minimum of 5 times in order to achieve the best running time performance.

### Charging the battery (figure D)

**⚠ WARNING:** Charge only at ambient temperatures between 50°F (10°C) and 104°F (40°C). The charger supplied with this product is intended to be plugged in such that it is correctly oriented in a vertical or floor mount position.

#### To charge the appliance:

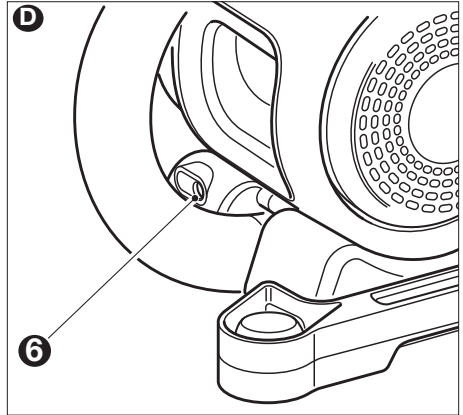
- Make sure that the appliance is switched off. The battery will not be charged with the on/off power switch (1) in the on position.
- Insert the charger plug into the charging inlet (6) in the base.
- Plug the charger (15) into a standard 120 Volt 60 Hz electrical outlet.
- The charging indicator (8) will be lit.
- For the first charging, leave the appliance to charge for at least 21 hours.

• When charging is complete, disconnect the charger from the outlet first, then disconnect the charger plug from the appliance.

While charging, the charger may become warm. This is normal and does not indicate a problem.

While it is safe to leave the appliance connected to the charger indefinitely, to reduce power consumption, we recommend unplugging the charger after 24 hours.

The charging indicator will be lit as long as the appliance is connected to the plugged-in charger.



### Switching on and off

- To switch the appliance on, slide the on/off switch (1) to the right to position 1.
- To switch the appliance off, slide the on/off switch (1) to the left until it clicks into the off position.

### Vacuuming

- When operating the appliance, make sure that the hose is not trapped, twisted or blocked.

Two cleaning modes:

1. You can vacuum with the handle (2) and hose (4) wrapped around the main appliance. Cleaning in this mode is great for quick pick-ups because the vac is in its most compact form.
2. You can vacuum with the handle (2) and hose (4) unwrapped from the main appliance allowing you to reach up to approximately 4 feet (1.2 m) from the appliance.
  - with handle and hose unwrapped the appliance can be carried using the built-in handle on the main appliance.
  - the handle can also be removed from the hose so that you can connect an accessory directly to the hose cuff (16) when desired.

### Hints for optimum use

- When working in confined spaces, the accessory caddy (12) can be removed from the base.
- When vacuuming stairs, always start at the bottom and work your way up.
- Use the pet hair cleaning tool to agitate and suction up pet hair and ground-in debris from carpeted or upholstery surfaces.

## Optimizing the suction force

In order to keep the suction force optimized, the filters must be cleaned regularly during use.

- Turn the filter cleaning wheel (5) two turns clockwise to remove any dust from the filters.
- The fine particulate filter must be cleaned regularly, see "Cleaning the fine particulate filter" section.

## Cleaning and maintenance

### Emptying the dust container

The dust container must be emptied regularly, preferably after every use.

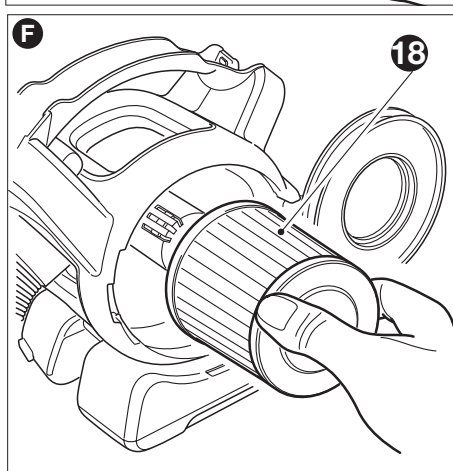
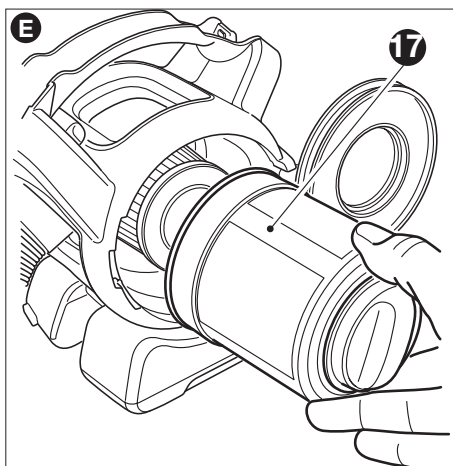
- Pull the door latch (9) and open the transparent door (7) 180 degrees.
- Tilt unit to empty dirt.
- Tap the back end of unit if debris does not fall out easily or remove filters for better access.

**⚠ WARNING:** Do not, under any circumstances rinse out the dust container or immerse the appliance in water. A damp cloth and soapy water should be used to clean the exterior of the appliance. Always make sure that the appliance is completely dry before re-use or storing.

### Cleaning filters (figures E,F)

Both the plastic pre-filter (17) and the pleated filter (18) are re-usable and should be cleaned regularly.

- Pull the door latch (9) and open the transparent door (7) 180 degrees.
- Remove the pre-filter (17) from the appliance as shown in figure E.
- Remove the pleated filter (18) by pulling firmly (figure F).
- Tap the filters vigorously to remove loose dust.
- If necessary, wash the filters in warm, soapy water.
- Make sure that the filters are dry.
- Refit the pleated filter (18) into the dust container.
- Refit the pre-filter (17) into the dust container.
- Close the transparent door (7) and make sure that it clicks into place.



## TROUBLESHOOTING

If the product does not work, check the following:

- The charger was correctly plugged in for recharge. (It feels slightly warm to the touch.)
- The charger cord is not damaged and is correctly attached to the appliance.
- The charger is plugged into a working electrical outlet.
- The appliance was switched to the off position to charge. The battery will not be charged with the switch in the “on” position.
- The filter is clogged. Pull the door latch and open the dust container door. Remove the pre-filter and the fine filter. Brush any loose dust off the filters and wash them in warm, soapy water. Make sure the filters are dry before placing back in the vacuum.

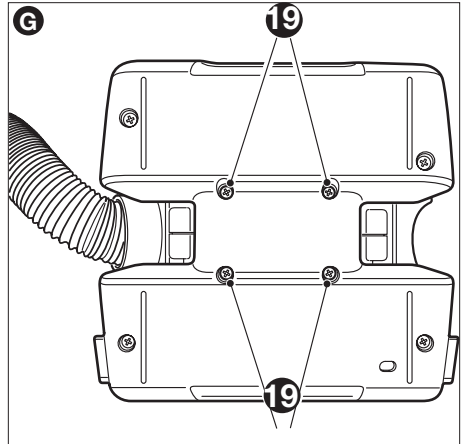
## BATTERY REMOVAL AND DISPOSAL

This product uses nickel-cadmium (Ni-Cd) rechargeable and recyclable batteries. When the batteries no longer hold a charge, they should be removed from the Vac and recycled. They must not be incinerated or composited.

The batteries can be taken for disposal to a Black & Decker, Company-Owned or Authorized Service Center. Some local retailers are also participating in a national recycling program (see “RBRC™ Seal”). Call your local retailer for details. If you bring the batteries to a Black & Decker Company-Owned or Authorized Service Center, the Center will arrange to recycle old batteries. Or, contact your local municipality for proper disposal instructions in your city/town.

### To remove the battery pack for disposal:

- 1.) First, before attempting to disassemble the product, turn it on and leave it on until the motor completely stops insuring a complete discharge of the batteries.
- 2.) Invert the appliance to get access to the screws that attach the base.
- 3.) Remove the four screws (19) shown in (figure G)
- 4.) Remove the base.
- 5.) Disconnect the 3-pin connector.
- 6.) Place the battery in suitable packaging to prevent a short circuit of the battery terminals.
- 7.) Dispose of batteries as per recommended guidelines.



## MAINTENANCE

Use only mild soap and damp cloth to clean the vac. Never let any liquid get inside the vac; never immerse any part of the vac into a liquid.

**⚠ WARNING:** Make sure the vacuum is completely dry before using it.

**IMPORTANT:** To assure product SAFETY and RELIABILITY, repairs, maintenance and adjustment (other than those listed in this manual) should be performed by authorized service centers or other qualified service organizations, always using identical replacement parts.



## THE RBRC™ SEAL



The RBRC™ (Rechargeable Battery Recycling Corporation) Seal on the nickel-cadmium battery (or battery pack) indicates that the costs to recycle the battery (or battery pack) at the end of its useful life have already been paid by Black & Decker. In some areas, it is illegal to place spent nickel-cadmium batteries in the trash or municipal solid waste stream and the RBRC program provides an environmentally conscious alternative.

RBRC in cooperation with Black & Decker and other battery users, has established programs in the United States and Canada to facilitate the collection of spent nickel-cadmium batteries. Help protect our environment and conserve natural resources by returning the spent nickel-cadmium battery to an authorized Black & Decker service center or to your local retailer for recycling. You may also contact your local recycling center for information on where to drop off the spent battery, or call **1-800-8-BATTERY**.

## SERVICE INFORMATION

All Black & Decker Service Centers are staffed with trained personnel to provide customers with efficient and reliable power tool service. Whether you need technical advice, repair, or genuine factory replacement parts, contact the Black & Decker location nearest you. To find your local service location, refer to the yellow page directory under "Tools—Electric" or call: **1-800-544-6986** or visit [www.blackanddecker.com](http://www.blackanddecker.com)

## FULL TWO-YEAR HOME USE WARRANTY

Black & Decker (U.S.) Inc. warrants this product for two years against any defects in material or workmanship. The defective product will be replaced or repaired at no charge in either of two ways.

The first, which will result in exchanges only, is to return the product to the retailer from whom it was purchased (provided that the store is a participating retailer). Returns should be made within the time period of the retailer's policy for exchanges (usually 30 to 90 days after the sale). Proof of purchase may be required. Please check with the retailer for their specific return policy regarding returns that are beyond the time set for exchanges.

The second option is to take or send the product (prepaid) to a Black & Decker owned or authorized Service Center for repair or replacement at our option. Proof of purchase may be required. Black & Decker owned and authorized Service Centers are listed under "Tools-Electric" in the yellow pages of the phone directory.

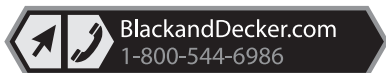
This warranty does not apply to accessories. This warranty gives you specific legal rights and you may have other rights which vary from state to state or province to province. Should you have any questions, contact the manager of your nearest Black & Decker Service Center. This product is not intended for commercial use.

**FREE WARNING LABEL REPLACEMENT:** If your warning labels become illegible or are missing, call **1-800-544-6986** for a free replacement.

**LATIN AMERICA:** This warranty does not apply to products sold in Latin America. For products sold in Latin America, check country specific warranty information contained in the packaging, call the local company or see the website for warranty information.

Imported by  
Black & Decker (U.S.)  
Inc.,  
701 E. Joppa Rd.  
Towson, MD 21286  
U.S.A.

See 'Tools-Electric'  
– Yellow Pages –  
for Service & Sales

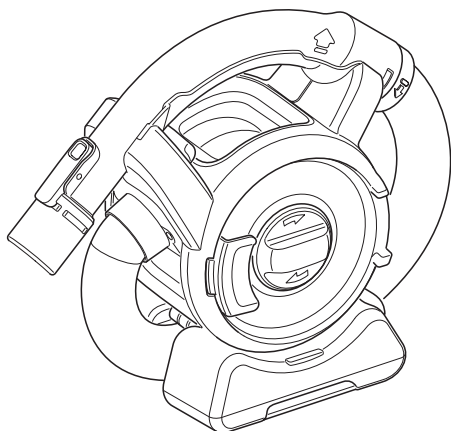






# ASPIRATEUR SANS FIL À MINI-RÉSERVOIR MODE D'EMPLOI

Numéro de catalogue : FHV1080, FHV1200



**Merci d'avoir choisi Black & Decker!  
Consulter le site Web  
[www.BlackandDecker.com/NewOwner](http://www.BlackandDecker.com/NewOwner)  
pour enregistrer votre nouveau produit.**

**à LIRE avant de retourner ce produit  
pour quelque raison que ce soit :**

Si des questions ou des problèmes surgissent après l'achat d'un produit Black & Decker,  
consulter le site Web

**[HTTP://WWW.BLACKANDDECKER.COM/INSTANTANSWERS](http://WWW.BLACKANDDECKER.COM/INSTANTANSWERS)**

pour obtenir des réponses instantanément 24 heures par jour.

Si la réponse est introuvable ou en l'absence d'accès à Internet, composer le  
1-800-544-6986 de 8 h à 17 h HNE, du lundi au vendredi, pour parler avec un agent.

Prière d'avoir le numéro de catalogue sous la main lors de l'appel.

**CONSERVER CE MODE D'EMPLOI POUR UN USAGE ULTÉRIEUR.  
POUR UN USAGE DOMESTIQUE UNIQUEMENT.**

## IMPORTANTES MISES EN GARDE

Lorsqu'on utilise un appareil électrique, il faut toujours respecter certaines règles de sécurité fondamentales, notamment les suivantes.

### LIRE ET COMPRENDRE TOUTES LES DIRECTIVES AVANT D'UTILISER L'APPAREIL.

#### LIGNES DIRECTRICES EN MATIÈRE DE SÉCURITÉ - DÉFINITIONS

Il est important que vous lisiez et compreniez ce mode d'emploi. Les informations qu'il contient concernent VOTRE SÉCURITÉ et visent à ÉVITER TOUT PROBLÈME. Les symboles ci-dessous servent à vous aider à reconnaître cette information.

**⚠ DANGER :** Indique une situation dangereuse imminente qui, si elle n'est pas évitée, causera la mort ou des graves blessures.

**⚠ AVERTISSEMENT :** Indique une situation potentiellement dangereuse qui, si elle n'est pas évitée, pourrait causer la mort ou de graves blessures.

**⚠ MISE EN GARDE :** Indique une situation potentiellement dangereuse qui, si elle n'est pas évitée, pourrait causer des blessures mineures ou modérées.

**MISE EN GARDE :** Utilisé sans le symbole d'alerte à la sécurité, indique une situation potentiellement dangereuse qui, si elle n'est pas évitée, peut résulter en des dommages à la propriété.

**⚠ AVERTISSEMENT :** Certaines poussières domestiques contiennent des produits chimiques reconnus par l'État de la Californie comme étant cancérigènes et pouvant entraîner des anomalies congénitales et d'autres risques pour la reproduction tels que l'amiante et le plomb contenu dans les peintures au plomb.

**⚠ AVERTISSEMENT :** pour réduire les risques d'incendie, de chocs électriques ou de blessures :

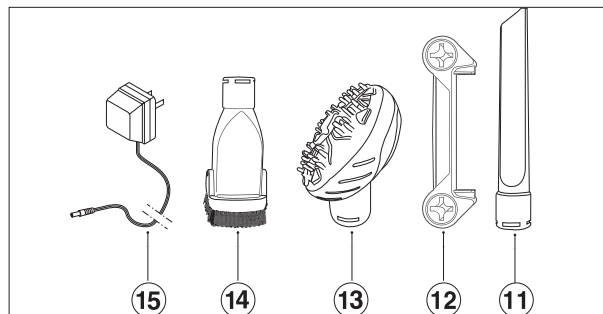
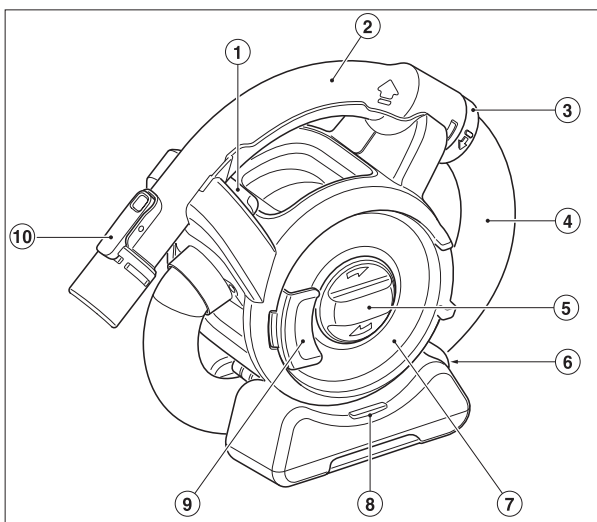
- Exercer une étroite surveillance pour l'utilisation de tout appareil électrique par des enfants ou à proximité de ceux-ci. Interdire l'utilisation de l'appareil comme jouet.
- **Risque d'électrocution.** Afin de se protéger contre les risques de choc électrique, ne pas immerger l'appareil ni la base de charge dans quelque liquide que ce soit.
- Ne pas se servir d'un aspirateur portatif destiné à des déchets secs pour aspirer des liquides, des substances toxiques, des liquides inflammables ou combustibles comme de l'essence, ni s'en servir dans un endroit renfermant de tels produits.
- Ne pas utiliser l'appareil en présence de vapeurs ou de liquides explosifs ou inflammables.
- **Risque d'électrocution.** Ne pas utiliser d'appareil présentant un chargeur ou un cordon endommagé, en mauvais état de fonctionnement, ou ayant été laissé à l'extérieur, immergé dans de l'eau ou endommagé de quelque façon que ce soit. Retourner l'appareil dans un centre de réparation autorisé.
- Ne pas utiliser abusivement le cordon d'alimentation. Ne jamais transporter le chargeur ou la base en les tenant par le cordon, ni tirer dessus pour les débrancher; tenir le chargeur et tirer sur la fiche pour le débrancher. Tenir le cordon éloigné des surfaces chauffées. Ne pas faire passer le cordon sur des arêtes ou des angles vifs.
- Ne pas laisser le cordon pendre sur le bord d'une table ou d'un comptoir, ni toucher des surfaces chaudes. L'appareil doit être placé sur le plancher, loin de tout évier et de toute surface chaude.
- Ne pas utiliser de rallonge. Brancher le chargeur directement dans une prise électrique.
- Brancher le chargeur seulement dans une prise électrique standard (120 V, 60 Hz).
- Ne pas utiliser le chargeur avec un autre produit, ni tenter de charger l'appareil avec un autre chargeur. Utiliser uniquement le chargeur fourni par le fabricant.
- Tenir les cheveux, les vêtements amples et toutes les parties du corps à l'écart des ouvertures et des pièces mobiles.
- **Risque d'électrocution.** Ne pas manipuler la fiche ni l'appareil avec les mains mouillées.
- Ne pas insérer d'objet dans les ouvertures de l'appareil. Ne pas utiliser l'appareil si ses ouvertures sont bouchées; les tenir exemptes de poussière, de peluche, de cheveux et de toute chose pouvant réduire la circulation d'air.

- **Risque d'incendie.** Ne pas passer l'aspirateur sur des matières qui brûlent ou fument comme des mégots de cigarette, des allumettes ou des cendres chaudes.
- Ne pas utiliser l'appareil sur des surfaces chaudes ni près de celles-ci.
- Être très prudent pour nettoyer les escaliers.
- L'appareil électrique est conçu pour une utilisation domestique seulement et non commerciale ou industrielle.
- Utiliser l'appareil uniquement selon les indications données dans le présent manuel. Utiliser uniquement les accessoires recommandés par le fabricant.
- Débrancher le chargeur avant tout nettoyage ou entretien de routine.
- Ce produit contient des piles rechargeables au nickel-cadmium. Ne pas incinérer les piles car la chaleur des flammes les fera exploser.
- Les cellules des piles peuvent fuir dans des conditions extrêmes. Si le liquide, qui est constitué d'une solution de 20 à 35 % d'hydroxyde de potassium entre en contact avec la peau : (1) se laver rapidement avec de l'eau et du savon ou (2) neutraliser le produit avec un acide doux comme du jus de citron ou du vinaigre. Si le liquide atteint les yeux, les rincer immédiatement à l'eau claire pendant au moins 10 minutes. Consulter un médecin.
- Ne pas regarder dans les événements lorsque l'appareil est en marche, car il arrive parfois que de petits débris s'en échappent, surtout après un nettoyage ou un remplacement de filtre qui aurait tendance à les libérer.
- Afin de prévenir les risques de trébuchement, ranger l'appareil après chaque utilisation.
- Ne pas aspirer des objets pointus qui pourraient endommager l'aspirateur ou le filtre.
- Ne pas utiliser l'appareil sans que les deux filtres soient en place. Remplacer rapidement tout filtre endommagé.

## CONSERVER CES DIRECTIVES.

### CARACTÉRISTIQUES DU PRODUIT

1. Interrupteur marche/arrêt
2. Tuyau et poignée amovibles
3. Bague de blocage
4. Tuyau
5. Roue de nettoyage du filtre
6. Prise de charge
7. Trappe transparente
8. Voyant indicateur DEL de charge
9. Loquet
10. Attache d'accessoire
11. Long suceur plat
12. Compartiment à accessoires
13. Outil de nettoyage des poils
14. Embout/brosse 2 en 1
15. Chargeur



Ce produit peut accepter aucune des chargeurs suivants énumérés ci-dessous.  
Modèle UA180020B, Model UA160015a

## Assemblage

### Montage des accessoires (figures A et B)

L'embout/brosse 2 en 1 (14) est formé d'une brosse qui se replie vers l'avant pour l'époussetage et le nettoyage des meubles. L'outil de nettoyage des poils (13) sert à aspirer les poils, la saleté incrustée ou les deux à la surface des tapis ou des meubles.

### ⚠️ **AVERTISSEMENT :**

**risque de blesser les animaux domestiques. Ne pas utiliser l'outil de nettoyage des poils directement sur les animaux.**

Le suceur plat (11) permet de passer l'aspirateur dans les espaces étroits et difficiles d'accès.

• Pour monter un accessoire (11), appuyer sur l'attache d'accessoire (10) et glisser l'accessoire sur la poignée (2).

• Pour démonter un accessoire, appuyer sur l'attache d'accessoire (10) et retirer l'accessoire.

### **Pour détacher et allonger la poignée et le tuyau :**

La poignée et le tuyau peuvent être détachés du corps de l'appareil pour en accroître la portée lors d'un nettoyage. Saisir la poignée à l'endroit indiqué par les flèches et soulever. Détacher la poignée et le tuyau du corps de l'appareil. Le tuyau étendu a une portée d'environ 1,21 m (4 pi).

Pour replacer la poignée et le tuyau sur le corps de l'appareil, enrouler le tuyau sur l'aspirateur par le dessous en vous assurant de loger le tuyau entre les deux « pieds » de l'appareil. Aligner la poignée sur son support et l'enclencher en place.

La poignée (2) se détache du tuyau pour permettre le raccordement direct d'accessoires sur la bouche du tuyau (16) si désiré.

### **Pour retirer la poignée :**

- Détacher la poignée (2) de l'appareil.
- Tourner la bague de blocage (3) dans le sens antihoraire pour que les attaches se désengagent.
- Séparer le tuyau de la poignée (2).
- Monter l'accessoire directement sur la bouche du tuyau (16).

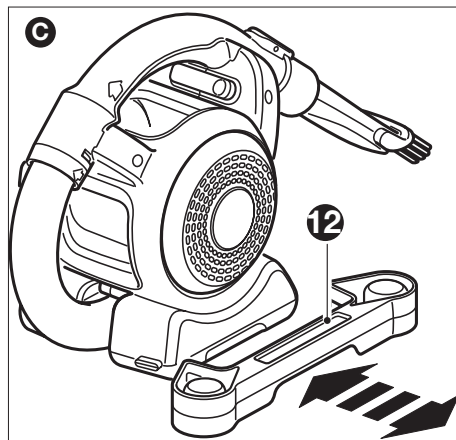
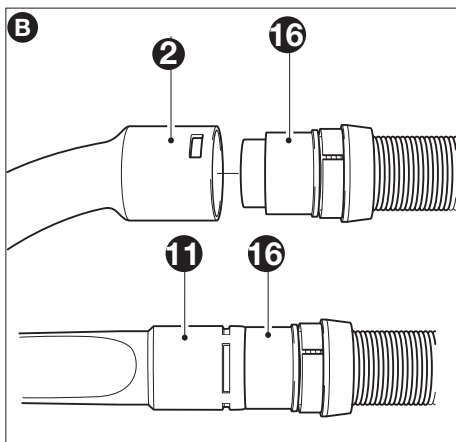
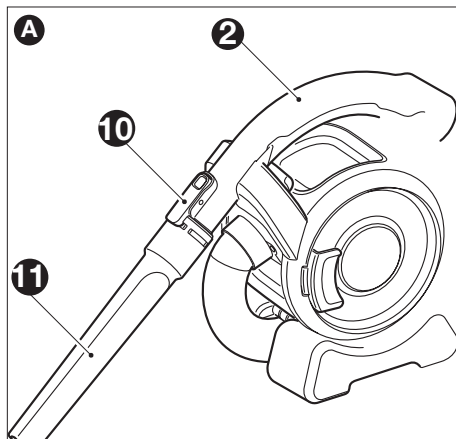
### **Pour réinstaller la poignée :**

- Retirer l'accessoire du tuyau.
- Pousser le tuyau dans la poignée (2).
- Tourner la bague de blocage (3) dans le sens horaire jusqu'à ce qu'elle s'enclenche en place.

### **Montage du compartiment à accessoires (figure C)**

Il est possible de ranger les accessoires dans le compartiment à accessoires (12) lorsqu'ils sont inutilisés. Le compartiment à accessoires peut être détaché au besoin.

- Pour installer le compartiment à accessoires (12), le presser contre les pattes sur le corps



de l'appareil jusqu'à ce qu'il s'enclenche en place. **REMARQUE** : le compartiment ne se monte que d'un côté de l'appareil.

- Pour retirer le compartiment à accessoires (12), saisir l'un ou l'autre des côtés arrondis et tirer dessus pour l'écartier de la base de l'appareil.

## Fonctionnement

Avant la première utilisation, les piles doivent être chargées pendant au moins 21 heures.

- Brancher l'appareil sur le chargeur pendant au moins 21 heures.
- Charger les piles comme suit.

Il se peut que l'appareil doive être chargé/déchargé au moins 5 fois avant d'atteindre son meilleur rendement en termes de durée de fonctionnement.

### Charge de la pile (figure D)

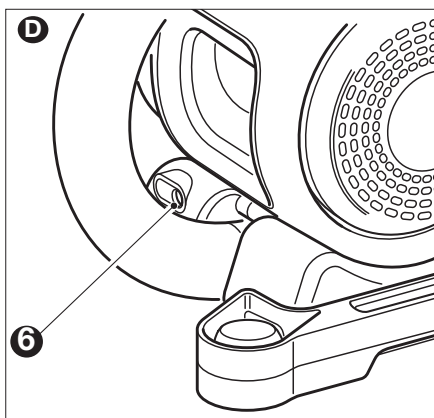
**⚠ AVERTISSEMENT :** ne charger qu'à des températures ambiantes entre 10 °C (50 °F) et 40 °C (104 °F). Le chargeur fourni avec ce produit est correctement branché s'il est orienté en position verticale ou au plancher.

### Pour charger l'appareil :

- S'assurer que l'appareil est éteint. La pile ne se chargera pas si l'interrupteur marche/arrêt (1) est en position de marche.
  - Insérer la fiche du chargeur dans la prise de charge (6) de la base.
  - Brancher le chargeur (15) dans une prise électrique standard de 120 volts, 60 Hz.
  - L'indicateur de charge (8) s'allume.
  - Lors de la première charge, laisser l'appareil en charge pendant au moins 21 heures.
  - Une fois la charge terminée, débrancher d'abord le chargeur de la prise secteur, puis la fiche du chargeur de l'appareil.
- Pendant la charge, le chargeur peut chauffer. Le dé clic est normal et n'indique pas de problème.

Il n'est pas dangereux de laisser l'appareil connecté au chargeur indéfiniment; cependant, afin de réduire la consommation énergétique, nous recommandons de débrancher le chargeur après 24 heures.

L'indicateur de charge reste allumé aussi longtemps que l'appareil est relié au chargeur branché.



### Mise en marche et arrêt

- Pour allumer l'appareil, faire glisser l'interrupteur marche/arrêt (1) vers la droite, à la position 1.
- Pour éteindre l'appareil, faire glisser l'interrupteur marche/arrêt (1) vers la gauche jusqu'à ce qu'il s'enclenche en position d'arrêt.

### Aspiration

• Au moment de passer l'aspirateur, il faut s'assurer que le tuyau n'est pas coincé, tordu ou bloqué.

Deux modes de nettoyage :

1. On peut passer l'aspirateur avec la poignée (2) et le tuyau (4) enroulés autour du corps de l'appareil. Ce mode convient à merveille aux nettoyages rapides, car l'aspirateur est dans sa forme la plus compacte.

2. On peut passer l'aspirateur avec la poignée (2) et le tuyau (4) détachés du corps de l'appareil, ce qui étend la portée de l'appareil d'environ 1,2 m (4 pi).

• Quand la poignée et le tuyau sont détachés, on transporte l'appareil en le tenant par la poignée intégrée au corps.

• La poignée se détache aussi du tuyau pour permettre le raccordement direct d'un accessoire sur la bouche du tuyau (16) si désiré.

## Conseils pour optimiser l'utilisation

- Pour accéder à des espaces restreints, on peut détacher le compartiment à accessoires (12) de la base.
- Lorsque l'on passe l'aspirateur dans les escaliers, il faut toujours commencer dans le bas et progresser vers le haut.
- Utiliser l'outil de nettoyage des poils pour déloger et aspirer les poils et la saleté incrustée à la surface des tapis ou des meubles.

## Optimisation de la force d'aspiration

Pour maintenir au maximum la force d'aspiration, il est nécessaire de nettoyer régulièrement les filtres pendant l'utilisation.

- Tourner la roue de nettoyage du filtre (5) de deux tours dans le sens horaire pour débarrasser les filtres de toute poussière.
- Le filtre pour particules fines doit être nettoyé régulièrement; voir la rubrique « Nettoyage du filtre pour particules fines ».

## Nettoyage et entretien

### Vidage du contenant à poussière

Le contenant à poussière doit être vidé régulièrement, de préférence après chaque utilisation.

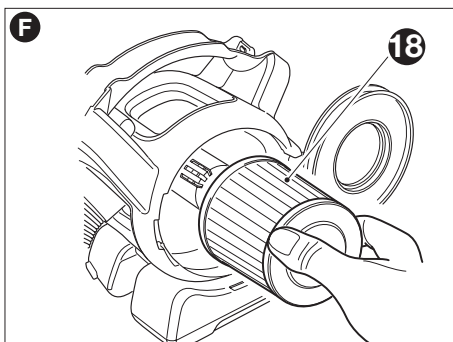
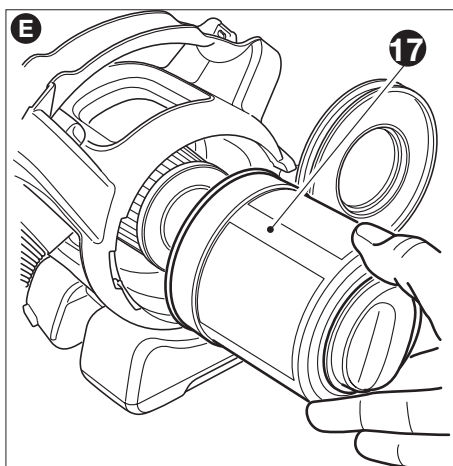
- Tirer sur le loquet (9) et ouvrir la trappe transparente (7) à 180 degrés.
- Incliner l'appareil pour vider la poussière.
- Taper le dos de l'appareil si la saleté ne tombe pas facilement ou extraire les filtres pour mieux y accéder.

**⚠ AVERTISSEMENT :** il ne faut en aucun cas rincer le contenant à poussière ou immerger l'appareil dans l'eau. Nettoyer la surface externe de l'appareil au moyen d'un linge humide et d'eau savonneuse. Toujours s'assurer que l'appareil est complètement sec avant de le réutiliser ou de le ranger.

### Nettoyage des filtres (figures E, F)

Le préfiltre de plastique (17) et le filtre plissé (18) sont tous deux réutilisables et doivent être nettoyés régulièrement.

- Tirer sur le loquet (9) et ouvrir la trappe transparente (7) à 180 degrés.
- Retirer le préfiltre (17) de l'appareil comme l'illustre la **figure E**.
- Retirer le filtre plissé (18) en tirant fermement (**figure F**).
- Taper vigoureusement les filtres pour en libérer la poussière.
- Au besoin, laver les filtres dans de l'eau chaude savonneuse.
- S'assurer que les filtres sont secs.
- Réinstaller le filtre plissé (18) dans le contenant à poussière.
- Réinstaller le préfiltre (17) dans le contenant à poussière.
- Fermer la trappe transparente (7) et s'assurer qu'elle s'enclenche en place.



## DÉPANNAGE

Si le produit ne fonctionne pas, vérifier les éléments suivants :

- Le chargeur était correctement branché lors de la charge (il est légèrement chaud au toucher).
- Le cordon d'alimentation du chargeur n'est pas endommagé, et il est bien fixé à l'appareil.
- Le chargeur est branché dans une prise électrique qui fonctionne.
- L'interrupteur de l'appareil a été mis en position d'arrêt en vue de la charge. La pile ne se chargera pas si l'interrupteur est en position de marche.
- Le filtre est obstrué. Tirer sur le loquet et ouvrir la trappe du contenant à poussière. Retirer le préfiltre et le filtre fin. Brosser les filtres pour enlever toute poussière en surface et laver dans de l'eau chaude savonneuse. S'assurer que les filtres sont secs avant de les remettre dans l'aspirateur.

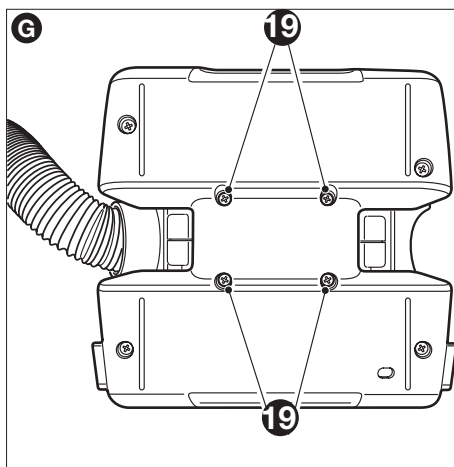
## RETRAIT ET ÉLIMINATION DES PILES

Ce produit utilise des piles nickel-cadmium (Ni-Cd) rechargeables et recyclables. Quand les piles ne tiennent plus la charge, elles doivent être retirées de l'aspirateur et recyclées. Il ne faut pas les incinérer ou les mettre au compost.

On peut apporter les piles à un centre de réparation Black & Decker ou un centre autorisé. Certains détaillants locaux participent également à un programme national de recyclage (voir la section « Le sceau RBRCTM »). Communiquer avec le détaillant local pour en connaître les détails. Le centre de réparation de Black & Decker ou un centre autorisé prendra les dispositions nécessaires pour recycler les piles épuisées si on les rapporte à un tel centre. On peut aussi contacter la municipalité pour obtenir des directives de mise au rebut appropriées selon la ville.

### Retrait du bloc-piles pour élimination :

- 1.) D'abord, avant de démonter le produit, le mettre en marche et le laisser fonctionner jusqu'à ce que le moteur s'arrête complètement, ce qui assure une décharge complète des piles.
- 2.) Tourner l'appareil à l'envers pour avoir accès aux vis qui retiennent la base.
- 3.) Enlever les quatre vis (19) illustrées (**figure G**).
- 4.) Retirer la base.
- 5.) Débrancher le connecteur à 3 broches.
- 6.) Insérer le bloc-piles dans un emballage approprié de façon à éviter un court-circuit des bornes.
- 7.) Éliminer les piles conformément aux lignes directrices recommandées.



## ENTRETIEN

Ne nettoyer l'appareil qu'à l'eau savonneuse au moyen d'un linge humide. Ne jamais laisser de liquide s'infiltrer à l'intérieur de l'appareil; ne jamais immerger ce dernier dans quelque liquide que ce soit.

**⚠ AVERTISSEMENT :** s'assurer que l'aspirateur est complètement sec avant de l'utiliser.

**IMPORTANT :** Pour assurer la SÉCURITÉ et la FIABILITÉ de l'appareil, tous les travaux de réparation, d'entretien et de réglage autres que ceux décrits aux présentes doivent être effectués par le personnel d'un centre de service autorisé ou qualifié; seules des pièces de rechange identiques doivent être utilisées.



## Le SCEAU SRPRC™

Le sceau SRPRC™ apposé sur le bloc-piles au nickel cadmium indique que son coût de recyclage à la fin de sa vie utile sera payé par Black & Decker. Il est illégal de jeter les piles au nickel cadmium épuisées dans les poubelles ou dans le système municipal d'élimination des résidus solides. Le programme RBRC représente donc une alternative sensibilisée à l'environnement. La SRPRC™, en collaboration avec Black & Decker, ont établi aux États-Unis et au Canada des programmes facilitant la cueillette des piles au nickel cadmium épuisés. Black & Decker encourage ses utilisateurs à participer à son programme de protection de l'environnement en retournant les piles usagées à un centre de réparation autorisé Black & Decker. On peut également communiquer avec le centre de recyclage de la région pour savoir où déposer les piles usées ou composer le **1-800-8-BATTERY**.



## INFORMATION SUR LES RÉPARATIONS

Tous les centres de réparation Black & Decker sont dotés de personnel qualifié en matière d'outillage électrique; ils sont donc en mesure d'offrir à leur clientèle un service efficace et fiable. Que ce soit pour un avis technique, une réparation ou des pièces de rechange authentiques installées en usine, communiquer avec l'établissement Black & Decker le plus près de chez vous. Pour trouver l'établissement de réparation de votre région, consulter le répertoire des Pages jaunes à la rubrique « Outils électriques » ou composer le numéro suivant : **1-800-544-6986** ou consulter le site **www.blackanddecker.com**

## GARANTIE COMPLÈTE DE DEUX ANS POUR UNE UTILISATION DOMESTIQUE

Black & Decker (É.-U.) Inc. garantit ce produit pour une durée de deux ans contre tout défaut de matériau ou de fabrication. Le produit défectueux sera remplacé ou réparé sans frais de l'une des deux façons suivantes :

La première façon consiste en un simple échange chez le détaillant qui l'a vendu (pourvu qu'il s'agisse d'un détaillant participant). Tout retour doit se faire durant la période correspondant à la politique d'échange du détaillant (habituellement, de 30 à 90 jours après l'achat). Une preuve d'achat peut être requise. Vérifier auprès du détaillant pour connaître sa politique concernant les retours hors de la période définie pour les échanges.

La deuxième option est d'apporter ou d'envoyer le produit (transport payé d'avance) à un centre de réparation autorisé ou à un centre de réparation de Black & Decker pour faire réparer ou échanger le produit, à notre discrétion. Une preuve d'achat peut être requise. Les centres Black & Decker et les centres de service autorisés sont répertoriés dans les pages jaunes, sous la rubrique « Outils électriques ».

Cette garantie ne s'applique pas aux accessoires. Cette garantie vous accorde des droits légaux spécifiques et vous pourriez avoir d'autres droits qui varient d'un État ou d'une province à l'autre. Pour toute question, communiquer avec le directeur du centre de réparation Black & Decker le plus près de chez vous. Ce produit n'est pas destiné à un usage commercial.

**REMPLACEMENT GRATUIT DES ÉTIQUETTES D'AVERTISSEMENT** : si les étiquettes d'avertissement deviennent illisibles ou sont manquantes, composer le **1-800-544-6986** pour en obtenir le remplacement gratuit.

Imported by / Importé par  
**Black & Decker Canada Inc.**  
100 Central Ave.  
Brockville (Ontario)  
K6V 5W6

Voir la rubrique  
"Outils électriques"  
des Pages Jaunes  
pour le service et les  
ventes.

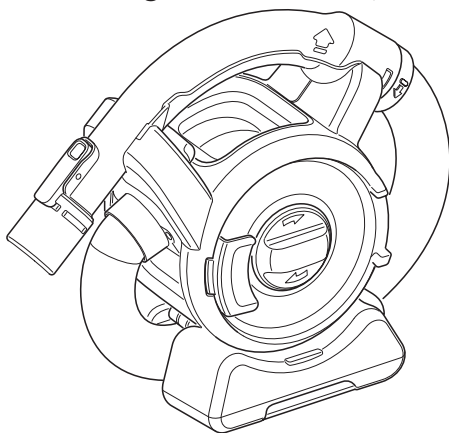




# ASPIRADORA INALÁMBRICA CON MINIDEPÓSITO

## MANUAL DE INSTRUCCIONES

Catálogo N° FHV1080, FHV1200



**Gracias por elegir Black & Decker!**  
Visite [www.BlackandDecker.com/NewOwner](http://www.BlackandDecker.com/NewOwner)  
para registrar su nuevo producto.

### **LEA EL MANUAL ANTES DE DEVOLVER ESTE PRODUCTO POR CUALQUIER MOTIVO:**

Si tiene una consulta o algún inconveniente con su producto Black & Decker, visite  
[HTTP://WWW.BLACKANDDECKER.COM/INSTANTANSWERS](http://WWW.BLACKANDDECKER.COM/INSTANTANSWERS)  
para obtener respuestas instantáneas las 24 horas del día.

Si no encuentra la respuesta o no tiene acceso a Internet, llame al 1-800-544-6986 de  
lunes a viernes de 8 a.m. a 5 p.m. hora del Este para hablar con un agente.

Cuando llame, tenga a mano el número de catálogo.

**CONSERVE ESTE MANUAL PARA FUTURAS CONSULTAS.  
SÓLO PARA USO DOMÉSTICO.**

# MEDIDAS DE SEGURIDAD IMPORTANTES

Cuando se usen aparatos eléctricos, deben tomarse ciertas precauciones básicas de seguridad, entre las que se incluyen las siguientes:

**POR FAVOR LEA Y COMPRENDA TODAS LAS INSTRUCCIONES ANTES DE OPERAR LA UNIDAD**

## PAUTAS DE SEGURIDAD/DEFINICIONES

Es importante que lea y comprenda este manual. La información que contiene se relaciona con la protección de SU SEGURIDAD y la PREVENCIÓN DE PROBLEMAS. Los símbolos que siguen se utilizan para ayudarlo a reconocer esta información.

**⚠ PELIGRO:** indica una situación de peligro inminente que, si no se evita, provocará la muerte o lesiones graves.

**⚠ ADVERTENCIA:** indica una situación de peligro potencial que, si no se evita, provocará la muerte o lesiones graves.

**⚠ PRECAUCIÓN:** indica una situación de peligro potencial que, si no se evita, provocará lesiones leves o moderadas.

**PRECAUCIÓN:** utilizado sin el símbolo de alerta de seguridad indica una situación de peligro potencial que, si no se evita, puede provocar daños en la propiedad.

**⚠ ADVERTENCIA:** Ciertas partículas de polvo doméstico contienen químicos, como el asbesto y la pintura a base de plomo, reconocidos por el estado de California como causantes de cáncer, defectos congénitos u otros problemas reproductivos.

**⚠ ADVERTENCIA:** Para disminuir el riesgo de incendio, descarga eléctrica o lesión:

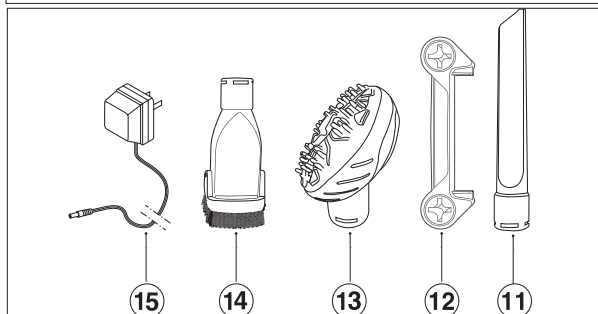
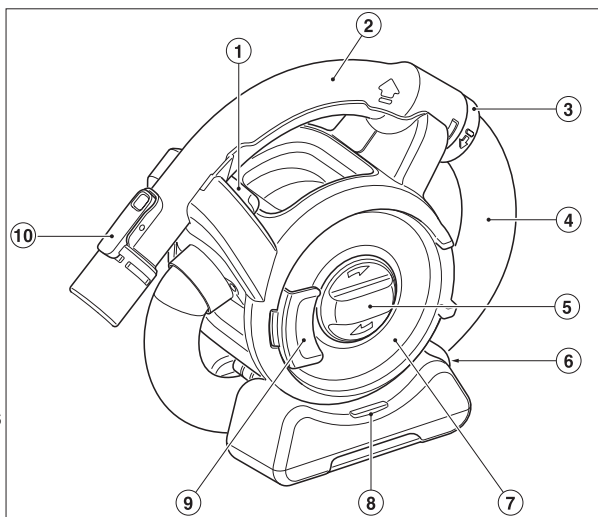
- Debe supervisar detenidamente el uso de cualquier aparato por parte de niños o cerca de ellos. No permita que se utilice como juguete.
- **Riesgo de descarga eléctrica.** Para evitar el riesgo de descarga eléctrica, no sumerja la unidad o la base cargadora en el agua o cualquier otro líquido.
- No utilice las aspiradoras para seco con el fin de recoger líquidos, sustancias tóxicas, líquidos inflamables o combustibles como gasolina, ni las use en áreas en las que estas sustancias puedan estar presentes.
- No la opere en presencia de vapores o líquidos explosivos o inflamables.
- **Riesgo de descarga eléctrica.** No opere aparatos que posean un cable o cargador dañados, o después de un mal funcionamiento, aparatos que se dejan a la intemperie, se dejaron caer en el agua o que están dañados de alguna forma. Devuelva el aparato a cualquier instalación de mantenimiento autorizada.
- No maltrate el cable. Nunca transporte el cargador o la base por el cable ni lo jale para desconectarlos de un tomacorriente; en cambio, tome el cargador y tire para desconectarlo. Mantenga el cable alejado de superficies calientes. No tire del cable cerca de bordes o esquinas afilados.
- No permita que el cable cuelgue sobre el borde de una mesa o un mostrador, o toque superficies calientes. La unidad debe colocarse sobre el piso, lejos de fregaderos y superficies calientes.
- No utilice un cable prolongador. Enchufe el cargador directamente en un tomacorriente.
- Utilice el cargador solamente en un tomacorriente estándar (120V/60Hz).
- No intente utilizar el cargador con cualquier otro producto; no intente cargar este producto con ningún otro cargador. Para realizar una recarga utilice sólo el cargador provisto por el fabricante.
- Mantenga el cabello, las ropas holgadas y todas las partes del cuerpo alejados de los orificios y de las piezas en movimiento.
- **Riesgo de descarga eléctrica.** No toque el enchufe ni el aparato con las manos mojadas.
- No coloque objetos en los orificios de la unidad. No use la unidad con orificios bloqueados, manténgalos libres de polvo, pelusas, pelos y cualquier objeto que pueda reducir el flujo de aire.
- **Riesgo de incendio.** No utilice la aspiradora sobre materiales encendidos o humeantes como colillas de cigarrillos encendidas, fósforos o cenizas calientes.

- No utilice en o cerca de superficies calientes.
- Tenga especial precaución al limpiar las escaleras.
- Este aparato está diseñado para uso doméstico solamente y no para uso comercial o industrial.
- Úsela solamente de la manera que se describe en este manual. Utilice únicamente accesorios recomendados por el fabricante.
- Desconecte el cargador del tomacorriente antes de realizar una limpieza o mantenimiento de rutina.
- Este producto incluye baterías recargables de níquel-cadmio. No incinere las baterías porque explotan a temperaturas altas.
- Se pueden producir pérdidas de las celdas de la batería en condiciones extremas. Si el líquido, que es una solución de hidróxido de potasio del 20% al 35%, entra en contacto con la piel (1) lave rápidamente con agua y jabón o (2) neutralice con un ácido suave como jugo de limón o vinagre. Si el líquido de la batería entra en contacto con los ojos, lávelos con agua limpia durante al menos 10 minutos. Busque atención médica.
- No mire por los oficios de ventilación mientras la unidad está encendida, ya que a veces pueden expulsar pequeños desechos. Esto se debe tener en cuenta sobre todo después de la limpieza o el reemplazo de los filtros, porque se pueden remover los desechos dentro de la unidad.
- Para evitar tropezarse con la aspiradora, guárdela después de cada uso.
- No recoja ningún objeto afilado que pudiese dañar la aspiradora o los filtros.
- No opere la unidad sin que ambos filtros estén en su lugar. Reemplace de inmediato los filtros dañados.

# CONSERVE ESTE MANUAL

## CARACTERÍSTICAS DEL PRODUCTO

1. Interruptor de encendido/apagado
2. Mango/manguera desmontable
3. Anillo de bloqueo
4. Manguera
5. Disco de limpieza del filtro
6. Entrada de carga
7. Puerta transparente
8. Pestillo de la puerta
9. Sujetador de accesorios
10. Herramienta larga para ranuras
11. Organizador de accesorios
12. Accesorio para limpiar pelos de mascotas
13. Boquilla/cepillo 2 en 1
14. Cargador



Este producto puede aceptar cualquiera de los cargadores que se enumeran a continuación.

Modelo UA180020B, Model UA160015a

## Ensamblaje

### Montaje de accesorios (figuras A y B)

La boquilla/cepillo 2 en 1 (14) tiene un cepillo que puede plegarse hacia adelante para sacudir el polvo y limpiar tapizados. El accesorio para limpiar pelos de mascotas (13) debe utilizarse al aspirar pelos de mascotas o desechos alojados en superficies alfombradas o tapizadas.

## ⚠ ADVERTENCIA:

**Puede provocar lesiones a las mascotas. No utilice el accesorio para limpiar pelos de mascotas directamente sobre los animales.**

La herramienta para ranuras (11) permite aspirar en lugares estrechos y de difícil acceso.

- Para colocar un accesorio (11), oprima el sujetador de accesorios (10) y deslice el accesorio en el mango (2).
- Para retirar un accesorio, oprima el sujetador de accesorios (10) y retire el accesorio.

### Para desenrollar y extender el mango y la manguera:

El mango y la manguera pueden desenrollarse del aparato principal para lograr un mayor alcance durante la limpieza. Sujete el mango en el lugar indicado por las flechas y levántelo. Desenrolle el mango y la manguera del aparato principal. La manguera se puede extender hasta un máximo de 1,2 m (4 pies) aproximadamente. Para volver a colocar el mango y la manguera en el aparato principal, enrosque la manguera nuevamente debajo y alrededor de la aspiradora, asegurándose de que encaje entre ambas "patas" de la aspiradora. Alinee el mango con su base y vuelva a encajarlo en su lugar.

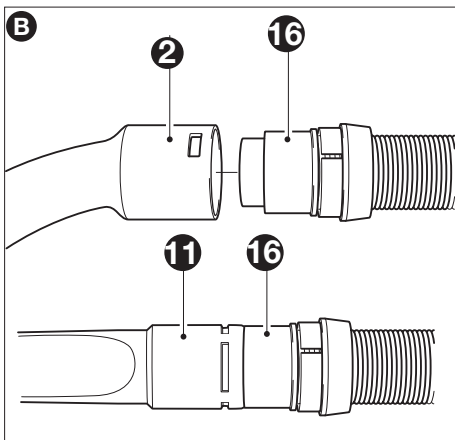
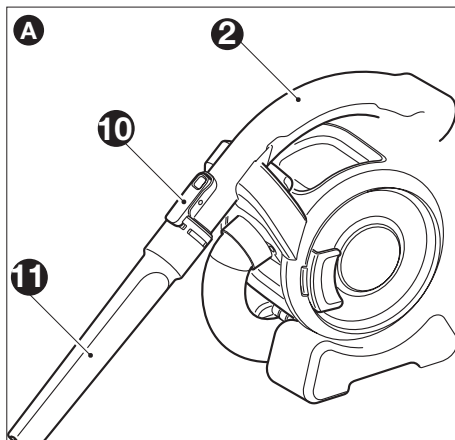
El mango (2) puede extraerse de la manguera, lo que permite conectar los accesorios directamente a la boquilla de la manguera (16) cuando se desee.

### Para extraer el mango:

- Desenganche el mango (2) del aparato.
- Gire el anillo de bloqueo (3) en el sentido contrario de las agujas del reloj para liberar los sujetadores.
- Extraiga la manguera del mango (2).
- Fije el accesorio directamente a la boquilla de la manguera (16).

### Para volver a colocar el mango:

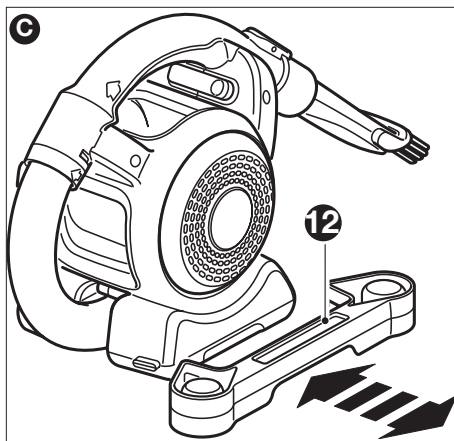
- Retire el accesorio de la manguera.
- Empuje la manguera dentro del mango (2). Gire el anillo de bloqueo (3) en el sentido de las agujas del reloj hasta que encaje en su lugar.



### Colocación del organizador de accesorios (figura C)

Cuando no utiliza los accesorios, puede almacenarlos en el organizador de accesorios (12). El organizador de accesorios puede extraerse en caso de ser necesario.

- Para instalar el organizador de accesorios (12) empújelo hacia las lengüetas del cuerpo del aparato hasta que encaje en su lugar. **NOTA:** El organizador sólo encaja en un lado del aparato.
- Para quitar el organizador de accesorios (12) tome cualquiera de los lados redondeados y extráigalo de la base del aparato.



### Funcionamiento

Antes del primer uso, cargue las baterías por lo menos durante 21 horas.

- Conecte el aparato al cargador durante 21 horas como mínimo.
- Cargue las baterías como se describe a continuación.

Es posible que deba cargar/descargar el aparato 5 veces como mínimo para lograr el mejor tiempo de funcionamiento.

### Carga de la batería (figura D)

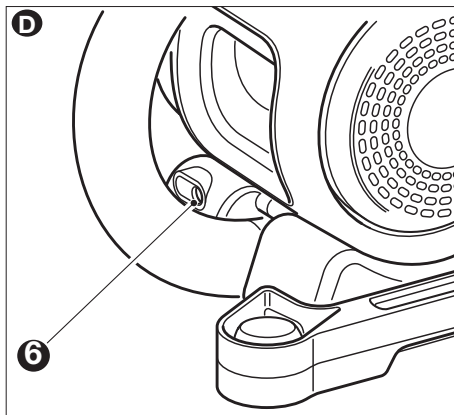
**⚠ ADVERTENCIA:** Cargue sólo a una temperatura ambiente entre 10 y 40 °C (50 y 104 °F). El cargador suministrado con este producto debe enchufarse de manera que quede correctamente orientado en posición vertical o de montaje en el piso.

#### Para cargar el aparato:

- Asegúrese de que el aparato esté apagado. La batería no se cargará si el interruptor de encendido/apagado (1) está en la posición de encendido.
- Inserte el enchufe del cargador en la entrada de carga (6) de la base.
- Enchufe el cargador (15) en cualquier tomacorriente eléctrico estándar de 120 voltios, 60 Hz.
- Se encenderá el indicador de carga (8).
- Para la primera carga, deje que el aparato se cargue por lo menos durante 21 horas.
- Cuando finalice la carga, desconecte primero el cargador del tomacorriente y luego el enchufe del cargador del aparato. Durante la carga, el cargador puede calentarse. Esto es normal y no indica un problema.

Si bien es seguro dejar el aparato conectado al cargador en forma indefinida, recomendamos desenchufar el cargador después de 24 horas para reducir el consumo de energía.

El indicador de carga permanecerá encendido mientras el aparato esté conectado al cargador enchufado.



### Encendido y apagado

- Para encender el aparato, deslice el interruptor de encendido/apagado (1) hacia la derecha hasta la posición 1.
- Para apagarlo, deslice el interruptor de encendido/apagado (1) hacia la izquierda hasta que encaje en la posición de apagado.

## Aspiración

• Al operar el aparato, asegúrese de que la manguera no esté atascada, doblada ni bloqueada.

Dos modos de limpieza:

1. Puede aspirar con el mango (2) y la manguera (4) enrollados alrededor del aparato principal. Este modo de limpieza es ideal para aspirados rápidos ya que la aspiradora está en su forma más compacta.
  2. Puede aspirar con el mango (2) y la manguera (4) desenrollados del aparato principal; esto le permite alcanzar una distancia máxima de aproximadamente 1,2 m (4 pies) con respecto al aparato.
- Con el mango y la manguera desenrollados, se puede transportar el aparato mediante el mango incorporado en el aparato principal.
  - También se puede extraer el mango de la manguera, de manera tal que puede conectar un accesorio directamente a la boquilla de la manguera (16) cuando lo desee.

## Consejos para un uso óptimo

- Al trabajar en espacios estrechos, el organizador de accesorios (12) se puede extraer de la base.
- Al aspirar sobre escaleras, comience siempre en la parte inferior y ascienda.
- Utilice el accesorio para limpiar pelos de mascotas para remover y succionar pelos de mascotas y desechos alojados en superficies alfombradas o tapizadas.

## Optimización de la fuerza de succión

Para mantener la fuerza de succión optimizada, se deben limpiar los filtros periódicamente durante el uso.

- Gire el disco de limpieza del filtro (5) dos vueltas en el sentido de las agujas del reloj para eliminar cualquier resto de polvo de los filtros.
- El filtro de partículas finas debe limpiarse periódicamente; consulte la sección "Limpieza del filtro de partículas finas".

## Limpieza y mantenimiento

### Vaciado del depósito de polvo

El depósito de polvo debe vaciarse en forma periódica, preferentemente después de cada uso.

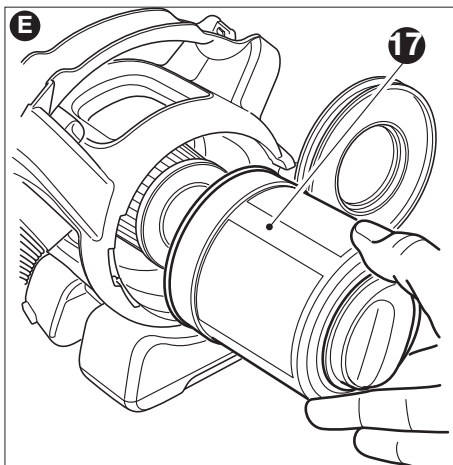
- Hale el pestillo de la puerta (9) y abra la puerta transparente (7) 180 grados.
- Incline la unidad para extraer la suciedad.
- Golpee la parte trasera de la unidad si los residuos no se desprenden con facilidad o retire los filtros para obtener un mejor acceso.

**⚠ ADVERTENCIA:** Bajo ninguna circunstancia debe enjuagar el depósito de polvo ni sumergir el aparato en agua. Para limpiar la parte externa del aparato utilice un paño húmedo y agua jabonosa. Asegúrese siempre de que el aparato esté completamente seco antes de volver a utilizarlo o almacenarlo.

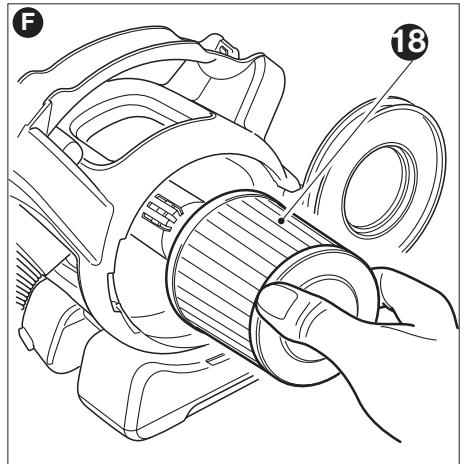
### Limpieza de los filtros (figuras E y F)

Tanto el prefiltro plástico (17) como el filtro plegable (18) son reutilizables y deben limpiarse periódicamente.

- Hale el pestillo de la puerta (9) y abra la puerta transparente (7) 180 grados.
- Extraiga el prefiltro (17) del aparato como se muestra en la figura E.
- Extraiga el filtro plegable (18) halando con firmeza (figura F).
- Golpee los filtros enérgicamente para quitar el polvo restante.
- De ser necesario, lave los filtros con agua jabonosa tibia.
- Asegúrese de que los filtros estén secos.
- Vuelva a colocar el filtro plegable (18) en el depósito de polvo.
- Vuelva a colocar el prefiltro (17) en el depósito de polvo.
- Cierre la puerta transparente (7) y asegúrese de que encaje en su lugar.







## DETECCIÓN DE PROBLEMAS

Si el producto no funciona, verifique lo siguiente:

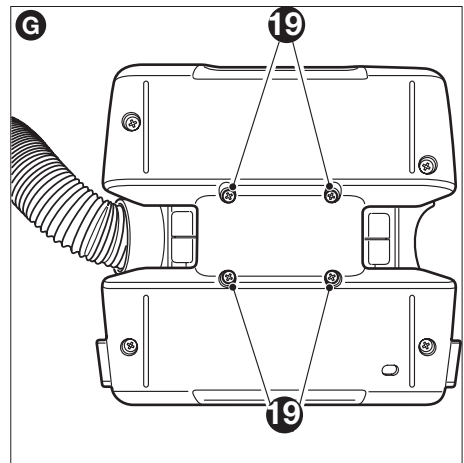
- Que el cargador se haya enchufado correctamente para realizar la recarga. (Se siente ligeramente caliente al tacto).
- Que el cable del cargador no esté dañado y que esté correctamente conectado al aparato.
- Que el cargador esté enchufado en un tomacorriente eléctrico en funcionamiento.
- Que el interruptor del aparato se haya colocado en la posición de apagado para la carga. La batería no se cargará con el interruptor en la posición de "encendido".
- El filtro está obstruido. Hale el pestillo y abra la puerta del depósito de polvo. Retire el prefiltro y el filtro fino. Cepille los filtros para quitar el polvo restante y lávelos con agua jabonosa tibia. Asegúrese de que los filtros estén secos antes de volver a colocarlos en la aspiradora.

## REMOCIÓN Y ELIMINACIÓN DE LA BATERÍA

Este producto utiliza baterías de níquel-cadmio (Ni-Cd) recargables y reciclables. Cuando las baterías ya no mantengan la carga, es necesario retirarlas de la aspiradora y reciclarlas. No se deben incinerar ni someter a un proceso de compostaje. Para eliminar la batería, puede llevarla a un Centro de mantenimiento Black & Decker propio o autorizado. Algunos comercios minoristas locales participan de un programa nacional de reciclado (ver "Sello RBRCTM"). Llame a su comercio minorista local para obtener más información. Si trae las baterías a un Centro de mantenimiento Black & Decker propio o autorizado, el Centro se ocupará de reciclarlas. O bien, consulte en la municipalidad de su localidad para conocer las instrucciones de desecho adecuadas de su ciudad o localidad.

### Remoción y desecho de baterías:

- 1.) Primero, antes de intentar desarmar el producto, enciéndalo y póngalo en funcionamiento hasta que el motor se haya detenido completamente, asegurándose de que las baterías se descarguen completamente.
- 2.) Invierta el aparato para obtener acceso a los tornillos que sujetan la base.
- 3.) Retire los cuatro tornillos (19) que se muestran en la figura G.
- 4.) Retire la base.
- 5.) Desconecte el conector de 3 clavijas.
- 6.) Coloque la batería en un empaque adecuado para asegurarse de que sus terminales no hagan cortocircuito.
- 7.) Deseche las baterías según las pautas recomendadas.



## MANTENIMIENTO

Utilice únicamente jabón suave y un trapo húmedo para limpiar la aspiradora. Nunca permita que se introduzcan líquidos en ella; nunca sumerja ninguna parte de la aspiradora en un líquido.

**⚠ ADVERTENCIA:** Asegúrese de que la aspiradora esté completamente seca antes de utilizarla.

**IMPORTANTE:** Para garantizar la SEGURIDAD y la CONFIABILIDAD del producto, las reparaciones, el mantenimiento y los ajustes (diferentes a los mencionados en este manual) deberán llevarse a cabo en centros de servicio autorizado u otras organizaciones de servicio calificado, que siempre utilicen refacciones idénticas.

## EL SELLO RBRC™

El sello RBRC™ (Rechargeable Battery Recycling Corporation) en las baterías de níquel-cadmio, indica que Black & Decker ha pagado los costos de reciclado de las baterías al término de su vida útil. En algunas zonas, es ilegal deshacerse de las baterías usadas de níquel-cadmio por los medios de recolección de basura usuales, y el programa RBRC proporciona una alternativa protectora del ambiente.

RBRC en cooperación con el fabricante y otros usuarios de baterías, ha establecido una serie de programas en los Estados Unidos y en Canadá para facilitar la recolección de las baterías de níquel-cadmio desgastadas. Ayude a cuidar el medio ambiente y a proteger los recursos naturales devolviendo las baterías de níquel-cadmio usadas a un centro de servicio Black & Decker o al distribuidor de su localidad para que las reciclen. Puede usted comunicarse al centro de reciclado de su localidad para que le proporcionen mayor información acerca de los sitios en los que puede desechar su batería usada, o llame al **1-800-8-BATTERY**.



## INFORMACIÓN DE MANTENIMIENTO

Todos los Centros de servicio de Black & Decker cuentan con personal altamente capacitado dispuesto a brindar a todos los clientes un servicio eficiente y confiable en la reparación de herramientas eléctricas. Si necesita consejo técnico, reparaciones o piezas de repuesto originales de fábrica, póngase en contacto con el centro de servicio de Black & Decker más cercano a su domicilio. Para ubicar su centro de servicio local, consulte la sección "Herramientas eléctricas" (Tools-Electric) de las páginas amarillas, llame al **1-800-544-6986** o visite nuestro sitio **www.blackanddecker.com**.

## GARANTÍA COMPLETA DE DOS AÑOS PARA USO EN EL HOGAR

Black & Decker (Estados Unidos) Inc. ofrece una garantía de dos años por cualquier defecto del material o de fabricación de este producto. El producto defectuoso se reparará o reemplazará sin costo alguno de dos maneras.

La primera opción, el reemplazo, es devolver el producto al comercio donde se adquirió (siempre y cuando se trate de un comercio participante). Las devoluciones deben realizarse conforme a la política de devolución del comercio (generalmente, entre 30 y 90 días posteriores a la venta). Le pueden solicitar comprobante de compra. Consulte en el comercio acerca de la política especial sobre devoluciones una vez excedido el plazo establecido.

La segunda opción es llevar o enviar el producto (con flete pago) a un Centro de servicio propio o autorizado de Black & Decker para su reparación o reemplazo según nuestro criterio. Le pueden solicitar el comprobante de compra. Los Centros de servicio autorizados y de propiedad de Black & Decker se detallan en la sección

"Herramientas eléctricas" (Tools-Electric) de las páginas amarillas de la guía telefónica.

Esta garantía no se extiende a los accesorios. Esta garantía le concede derechos legales específicos; usted puede tener otros derechos que pueden variar según el estado o la provincia. Si tiene alguna pregunta, comuníquese con el gerente del Centro de servicio de Black & Decker de su zona. Este producto no está diseñado para uso comercial.

**AMÉRICA LATINA:** esta garantía no se aplica a los productos que se venden en América Latina. Para los productos que se venden en América Latina, debe consultar la información de la garantía específica del país que viene en el empaque, llamar a la compañía local o visitar el sitio Web a fin de obtener esa información.

**· GARANTÍA BLACK & DECKER · BLACK & DECKER WARRANTY  
· SOLAMENTE PARA PROPOSITOS DE MEXICO**

---

Distributor Name · *Sello firma del distribuidor*

---

Date of purchase · *Fecha de compra*

*Invoice No. · No. de factura*

---

**PRODUCT INFORMATION · IDENTIFICACIÓN DEL PRODUCTO**

Cat. No. · *Catalogo ó Modelo*

*Serial Number · No. de serie*

---

Name · *Nombre*

*Last Name · Apellido*

---

Address · *Dirección*

---

City · *Ciudad*

*State · Estado*

---

Postal Code · *Código Postal*

*Country · País*

---

Telephone · *No. Teléfono*

---

**2 AÑOS DE GARANTIA**

Este producto cuenta con dos años de garantía a partir de la fecha de compra contra cualquier defecto de su funcionamiento, así como cualquier falla debido a materiales empleados para su fabricación ó mano de obra defectuosa.

Nuestra garantía incluye la reparación o reposición del producto y/o componentes sin cargo alguno para el cliente incluyendo la mano de obra, esta incluye los gastos de trasportación erogados para lograr cumplimiento de esta garantía en los domicilios diversos señalados.

Para hacer efectiva esta garantía deberá presentar su herramienta y esta póliza sellada por el establecimiento comercial donde se adquirió el producto.

Nos comprometemos a entregar el producto en un lapso no mayor a 30 días hábiles contados a partir de la fecha de recepción del mismo en nuestros talleres de servicio autorizados.

**ESTA GARANTIA NO APLICA CUANDO:**

El producto se hubiese utilizado en condiciones distintas a las normales.

El producto no hubiese sido operado de acuerdo con el instructivo de uso que se acompaña.

El producto hubiese sido alterado o reparado por personas no autorizadas por nosotros.

Importador: Black & Decker S.A. de .C.V

Bosque de Cidros Acceso Radiatas No.42

3ra.Seccion de Bosques de las lomas

C.P.05120, Mexico, D.F. Tel: (01 55) 5326 7100

## SOLAMENTE PARA PROPOSITOS DE MEXICO

### **Grupo Realsa en herramientas, S.A. de C.V.**

Súper Manzana 69 MZ.01 Lote 30  
(Av. Torcasita)  
Col. Puerto Juárez  
Cancún, Quintana Roo  
Tel. 01 998 884 72 27

### **Ferre Pat de Puebla, S.A. de C.V.**

16 de Septiembre No. 6149  
Col. El Cerrito  
Puebla, Puebla  
Tel. 01 222 264 12 12

### **Ferre Pat de Puebla, S.A. de C.V.**

Ejército Mexicano No. 15  
Col. Ejido 1ro. de Mayo  
Boca del Rio, Veracruz  
Tel. 01 229 167 89 89

### **Servicio de Fabrica Black & Decker, S.A. de C.V.**

Lázaro Cardenas No. 18  
Col. Obrera  
Distrito Federal  
Tel. 55 88 95 02

### **Representaciones Industriales Robles, S.A. de C.V.**

Tezozomoc No. 89  
Col. La Preciosa  
Distrito Federal  
Tel. 55 61 86 82

### **Gpo. Comercial de Htas. y Refacciones de Occidente, S.A. de C.V.**

Av. La Paz No. 1779  
Col. Americana, S. Juaréz  
Guadalajara, Jalisco  
Tel. 01 33 38 25 69 78

### **Herramientas y Equipos Profesionales**

Av. Colón 2915 Ote.  
Col. Francisco I. Madero  
Monterrey, Nvo. León  
Tel. 01 81 83 54 60 06

### **Htas. Portátiles de Chihuahua, S.A. de C.V.**

Av. Universidad No. 2903  
Col. Fracc. Universidad  
Chihuahua, Chihuahua  
Tel. 01 614 413 64 04

### **Fernando González Armenta**

Bolivia No. 605  
Col. Felipe Carrillo Puerto  
Cd. Madero, Tampico  
Tel. 01 833 221 34 50

### **Perfiles y Herramientas de Morelia**

Gertrudis Bocanegra No. 898  
Col. Ventura Puente  
Morelia, Michoacán  
Tel. 01 443 313 85 50

### **Enrique Robles**

Av. de la Solidaridad No. 12713  
Col. La Pradera  
Irapuato, Guanajuato  
Tel. 01 462 626 67 39

### **Hernández Martínez Jeanette**

Prolongación Corregidora Nte. No. 1104  
Col. Arboledas  
Queretaro, Qro.  
Tel. 01 442 245 25 80

**PARA OTRAS LOCALIDADES LLAME AL 01 800 847 2309 o 01 800 847 2312.**

**Vea "Herramientas  
eléctricas (Tools-Electric)"  
- Páginas amarillas -  
para Servicio y ventas**



**BLACK & DECKER S.A. DE C.V.  
BOSQUES DE CIDROS ACCESO RADIATAS NO. 42  
COL. BOSQUES DE LAS LOMAS.  
05120 MÉXICO, D.F.  
TEL. (01 55) 5326 7100  
01 800 847 2309/01 800 847 2312**



